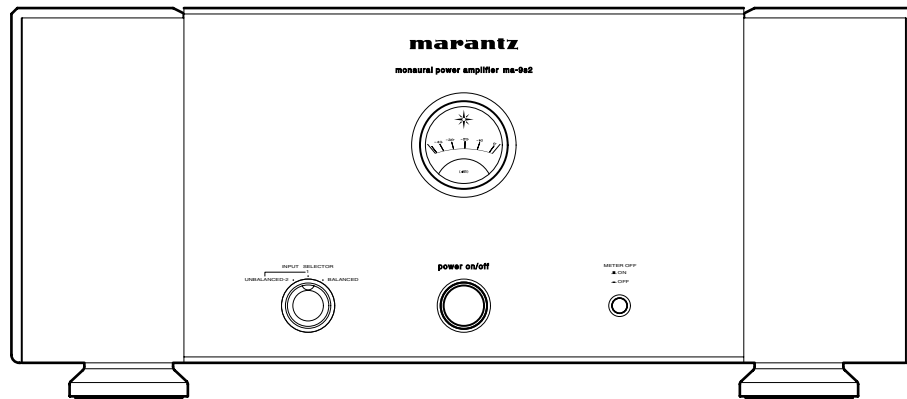


Service Manual

MA-9S2 /F N/K1G/N1G/U1G

Monaural Power Amplifier



MA-9S2

TABLE OF CONTENTS

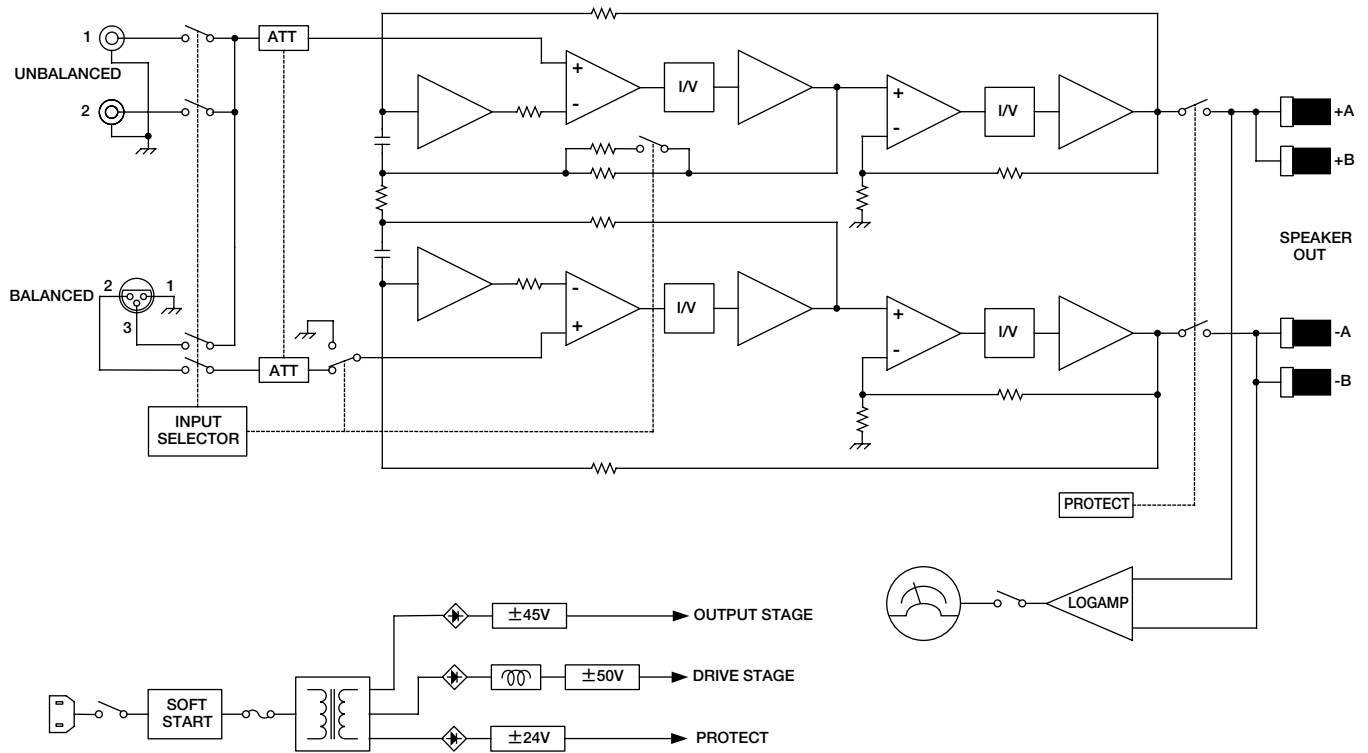
SECTION	PAGE
1. TECHNICAL SPECIFICATIONS	1
2. CAUTION	1
3. ALIGNMENTS	2
4. BLOCK DIAGRAM	4
5. WIRING DIAGRAM	5
6. SCHEMATIC DIAGRAM	7
7. PARTS LOCATION	11
8. EXPLODED VIEW AND PARTS LIST	23
9. ELECTRICAL PARTS LIST	27

Please use this service manual with referring to the user guide (D.F.U.) without fail.
修理の際は、必ず取扱説明書を準備し操作方法を確認の上作業を行ってください。

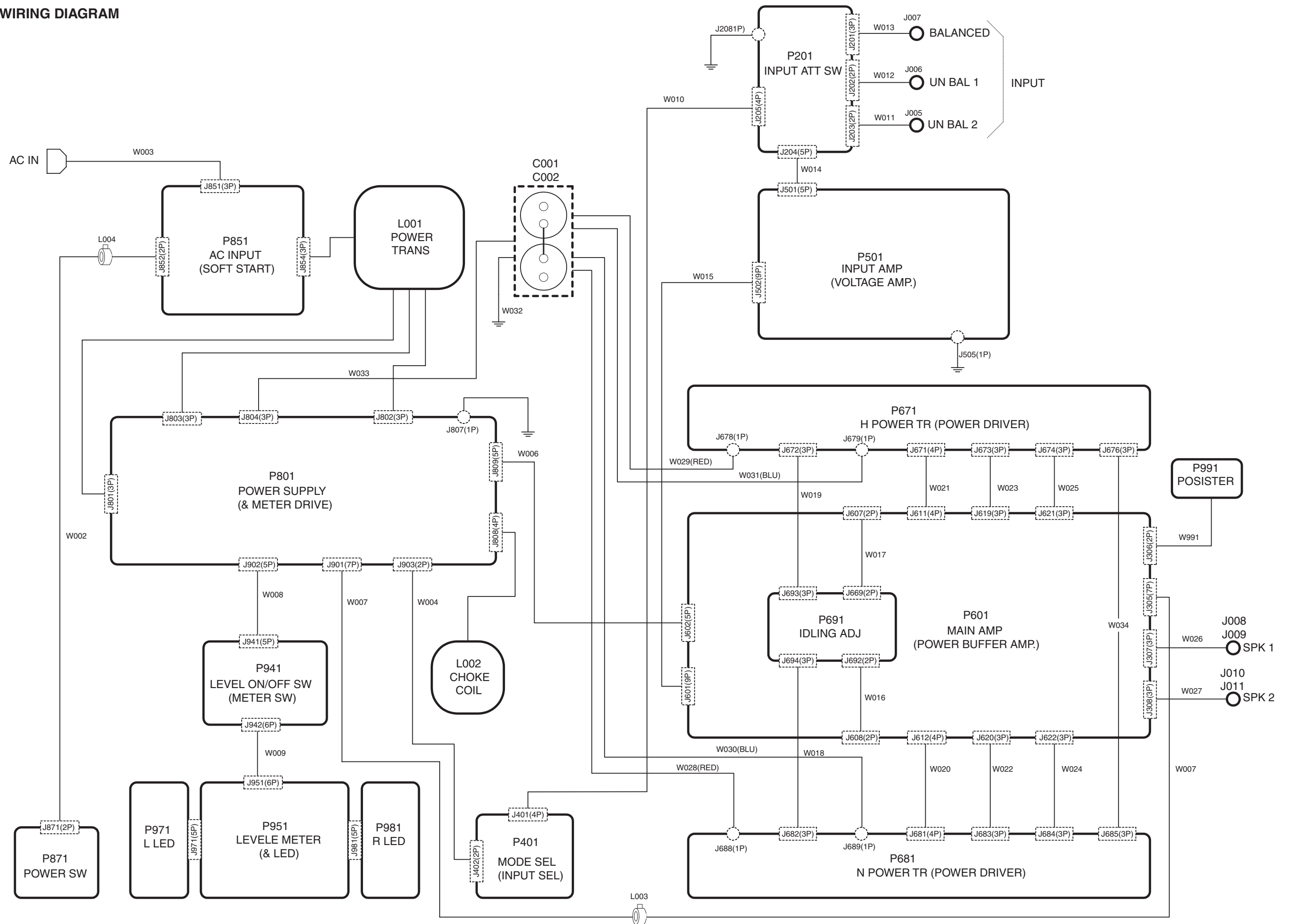
marantz®

MA-9S2

4. BLOCK DIAGRAM



6. WIRING DIAGRAM



7. SCHEMATIC DIAGRAM

